

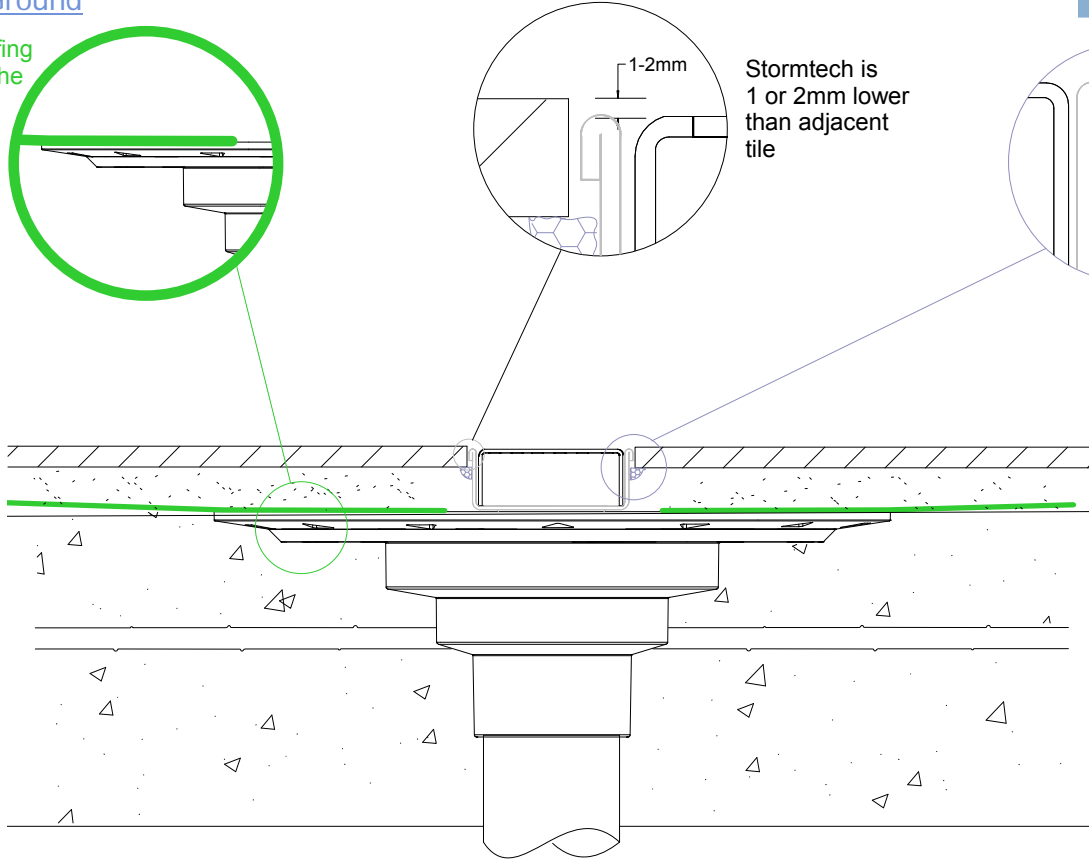
65i25 Concrete Floor or Deck

For 65ARi25, 65MNDi25, 65PHi25, 65PSi25, 65TRi25, and 65TRTi25.



Slab on Ground

Waterproofing is fixed to the floor flange



Stormtech is 1 or 2mm lower than adjacent tile

Caulk bottom of tile to edge of Stormtech

Suspended Slab

Tile

Tile glue or bed.

Waterproofing

Substrate

NOTE, waterproofing slopes towards the floor flange, with the flange as the lowest point in the waterproofing

