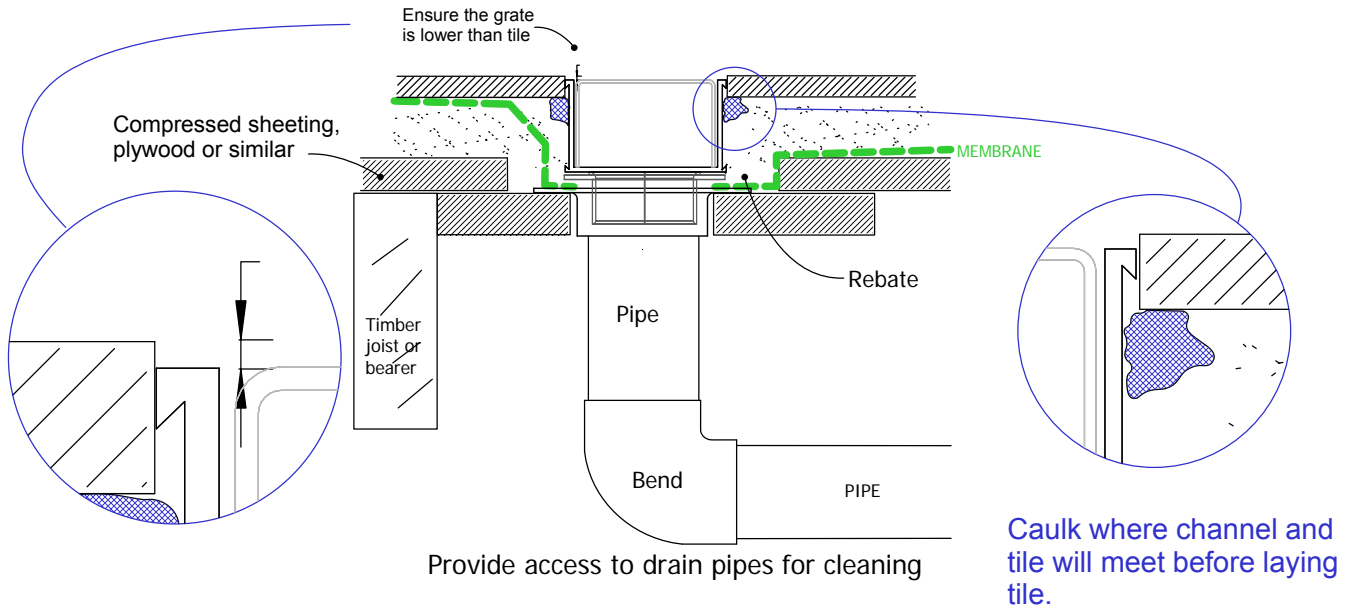


65G40 TIMBER FLOOR/DECK

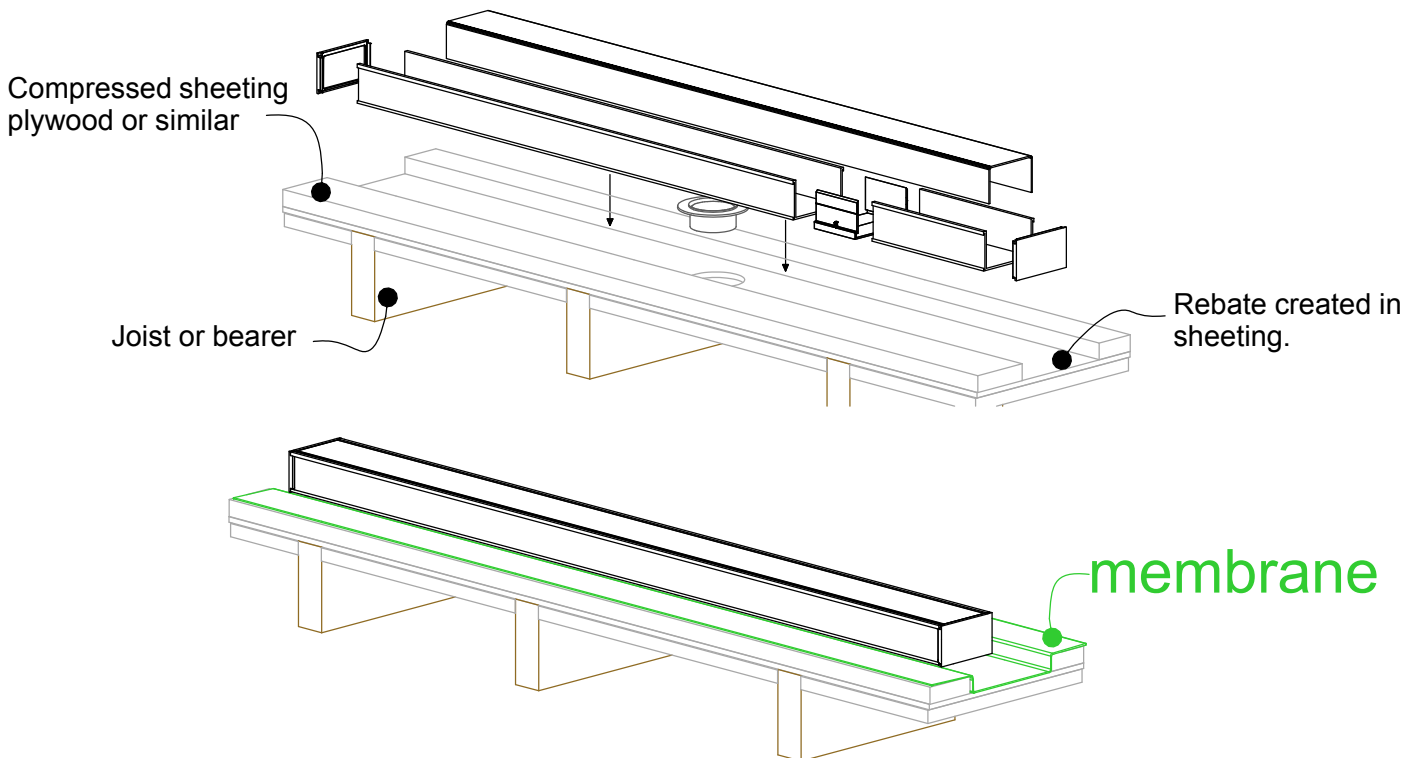
For 65ARG40, 65PHG40, 65PSG40, 65TRG40, and 65TRTiG40.



When 65G40 is running parallel to joist/bearer



When 65G40 is running perpendicular to joist/bearer



NOTE: For exterior application allow for expansion of 1mm per metre by using quality suitable flexible sealant on channel joints. Use PVC solvent cement and primer for ends and outlets.

